

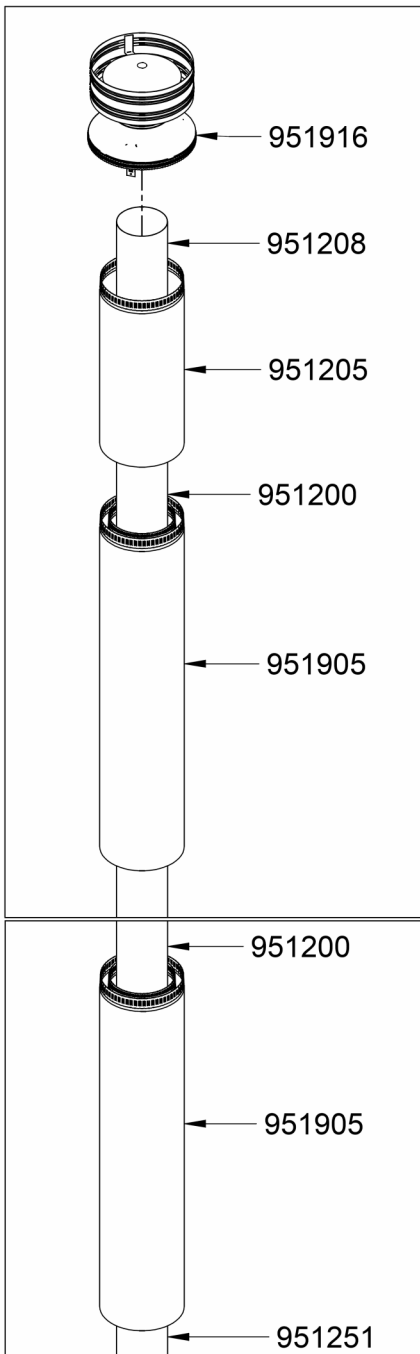


**150 mm  
Zero Clearance Wood Fire flue Kit with Combination Cowl**

Complies with AS/NZS 2918:2001

**Installation Instructions**

**GDFLU021M  
Ceiling Kit - 951458**



1 x Anti Down Draught ( ADD ) Combination Cowl

1 x Stainless steel 600 mm Flue Pipe

1 x Outer Casing Slip Extension

1 x Stainless steel 150x1200 mm Flue Pipe with 50mm to swage.

1 x 1200mm 200mm/ 250mm Shield Combination - Galv.

**Extension Kit - 951459**

1 x Stainless steel 150x1200 mm Flue Pipe with 50mm to swage.

2 x 1200mm 200mm/ 250mm Shield Combination - Galv.

1x Stainless Steel 150x1200 Flue Pipe with 38mm to swage.  
Goes into heater flue spigot !!!

**FLUE 150 ZERO CLEARANCE EXT KIT  
951459**

## 150mm Zero Clearance Wood Fire Flue Kit

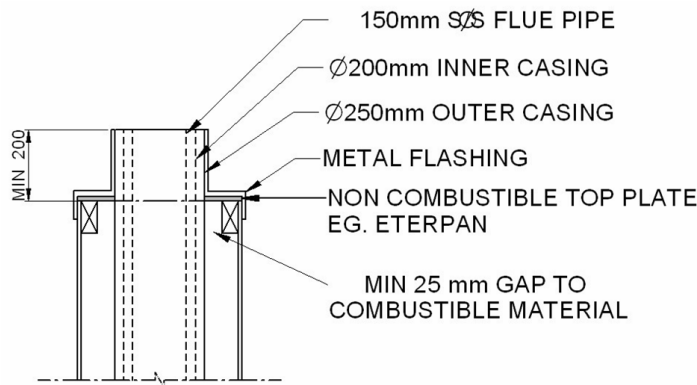
Complies with AS/NZS 2918:2001

### Installation Instructions

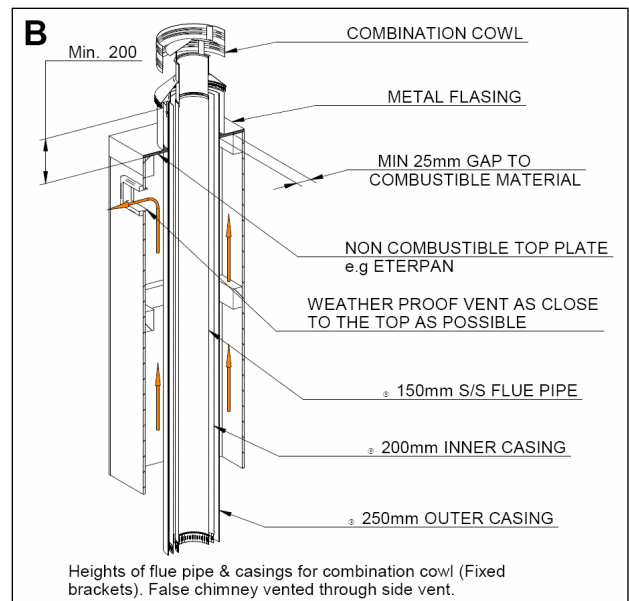
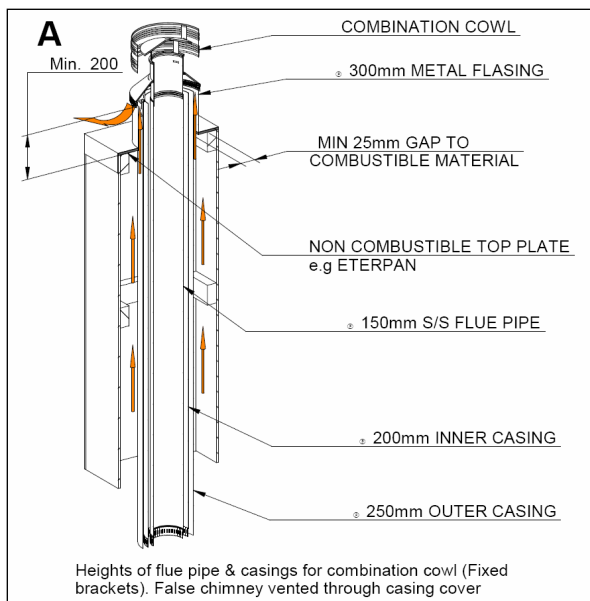
**CAUTION:**

- ◆ IT IS THE RESPONSIBILITY OF THE INSTALLER TO ENSURE THAT THE INSTALLATION OF THIS FLUE KIT COMPLIES WITH AS/NZS 2918:2001.
- ◆ MIXING FLUE SYSTEM COMPONENTS FROM DIFFERENT SOURCES OR MODIFYING THE DIMENSIONAL SPECIFICATION OF THE COMPONENTS MAY RESULT IN HAZARDOUS CONDITIONS. WHERE SUCH ACTION IS CONSIDERED, THE MANUFACTURER SHOULD BE CONSULTED IN THE FIRST INSTANCE.
- ◆ External Requirements—Refer to AS/NZS 2918:2001 4.9.1

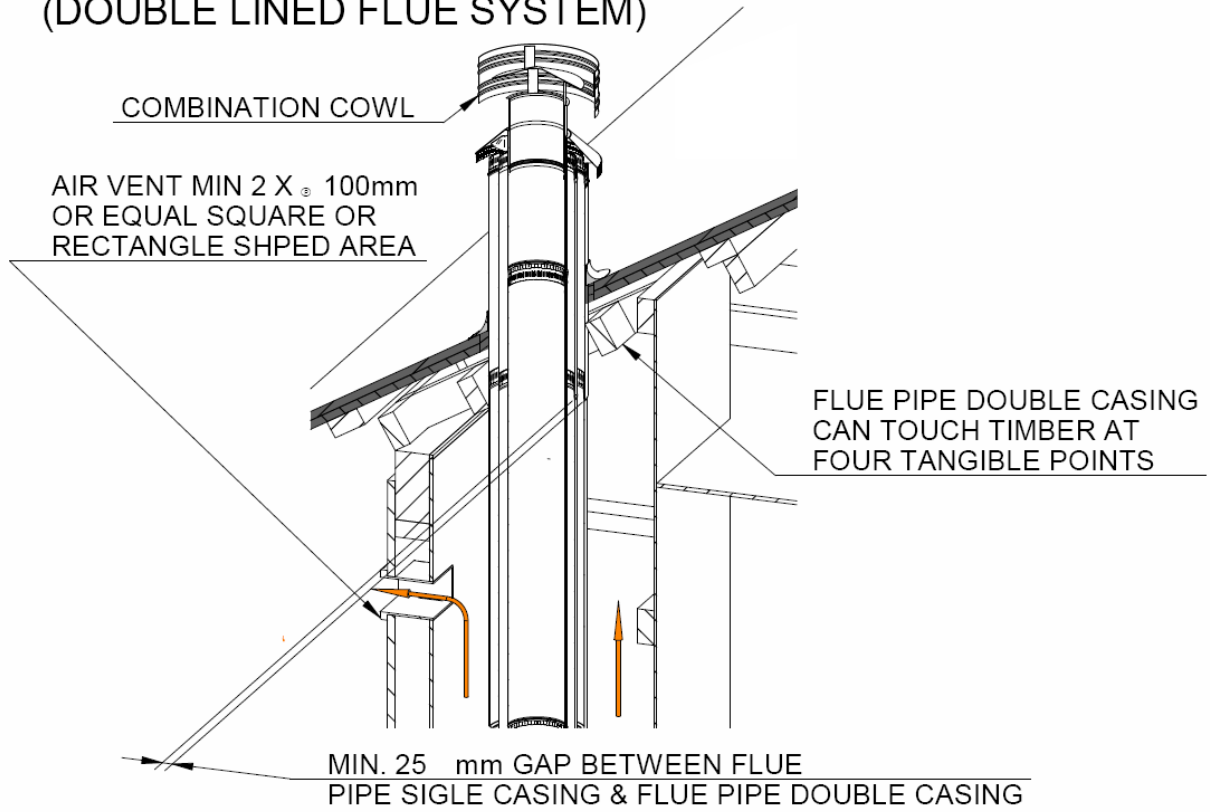
1. Ensure all S/S pipes have good seal and fixed to each other with not less than 3 pop rivets.
2. Galv. Casing to be secured together with not less than 3 pop rivets.
3. Make sure The Flue pipe with shorter Crimp ( 38mm) goes into heater flue outlet.
4. Good practice is if the seam lock of the outer casing ( 250mm) above the flashing is sealed with silicon.
5. When using rubber or Bitumen flashing (Butynol Dektite) an Additional Flue pipe Bracing is recommended.
6. All external air vents & ceiling penetrations must be Bird , Vermin and Rodent proof with permanently fixed screens.
7. All flashing to comply with E2 building code.



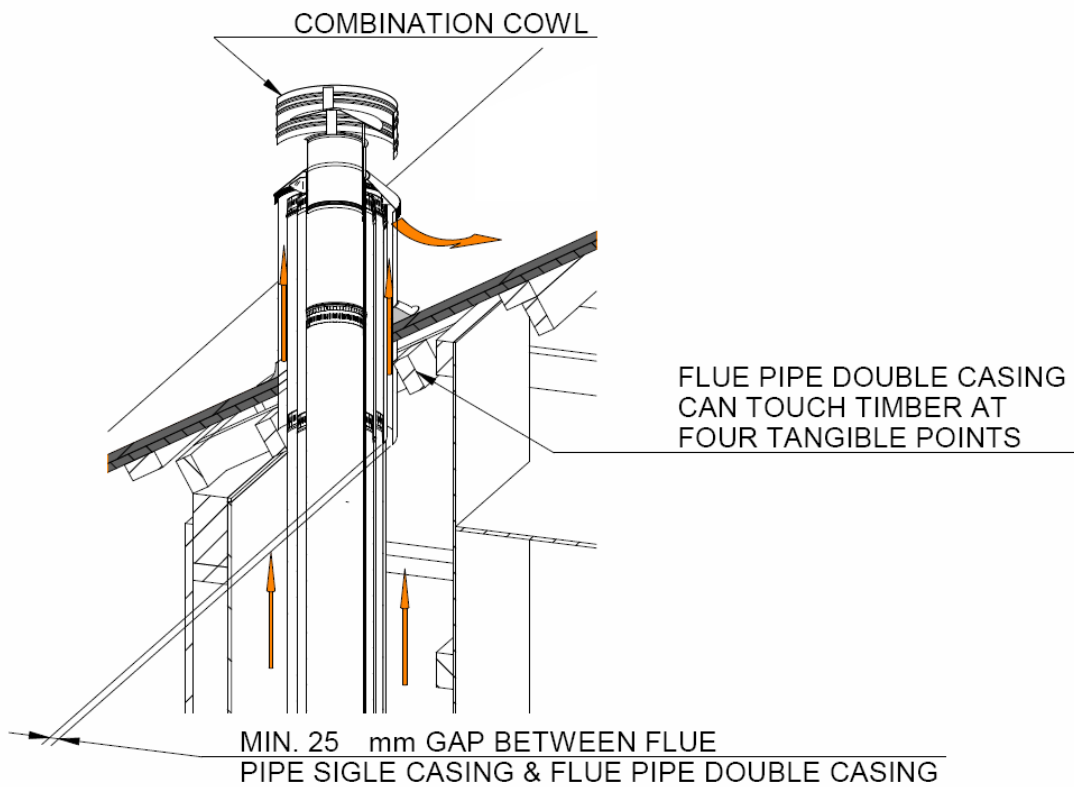
**HEIGHTS OF FLUE PIPE & CASINGS FOR COMBINATION COWL (Fixed Bracket)**



**C** FLUE PENETRATION VENTED THROUGH ALCOVE  
(DOUBLE LINED FLUE SYSTEM)



**D** FLUE PENETRATION VENTED TOP FLASHING





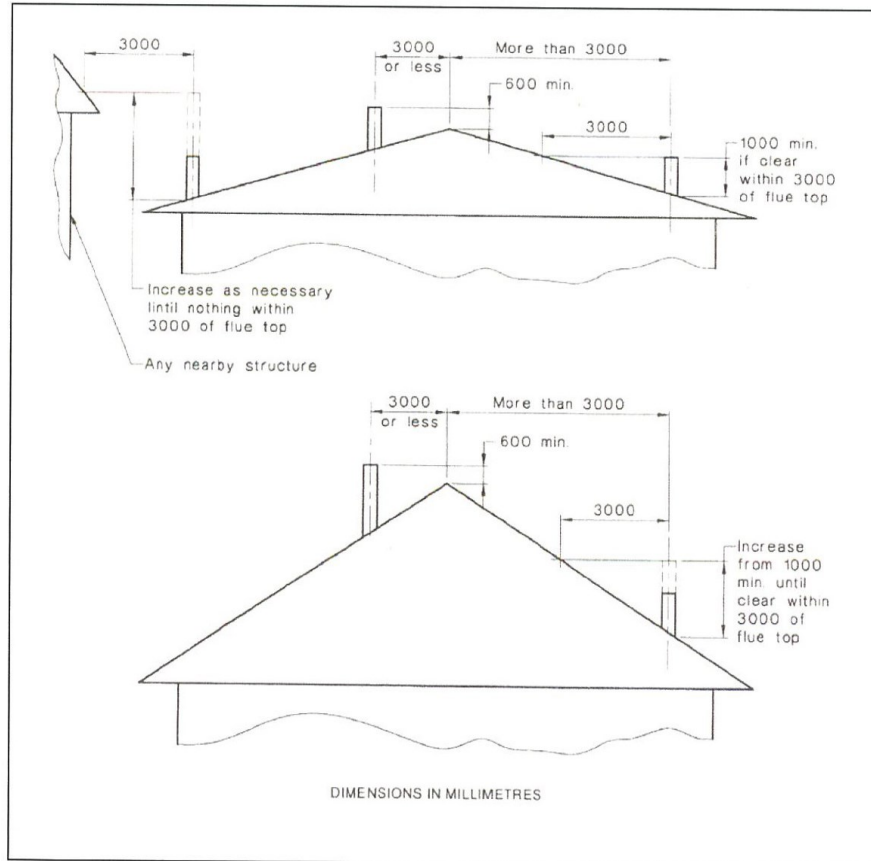
## **Stainless Steel Flue Pipe**

### Conditions of use

- The wood fire must be operated in accordance with the manufactures instructions, local clean air guidelines and regulations.
- The flue must be installed in accordance with Glen Dimplex Australasia (GDA) installation instructions, using flue components supplied by GDA. It is the responsibility of the installer to ensure no water leaks into the flue system
- The flue should not be used on a wood fire burning chemically treated, salt laden or unseasoned wood. Only use newspaper when lighting, never burn printed brochures or junk mail.
- The Flue must be swept by mechanical means only. We recommend mixed head or polypropylene brushes be used, Under No circumstances should chemical flue cleaners, soot destroyers or steel chimney brushes be used.
- The stainless flue pipe is warranted against mechanical defects for 5 years, providing the above conditions are met.
- Installation and performance are not covered under the warranty

**Failure to observe these conditions may negate warranties**

**Diagram C AS/NZS 2918:2001 pg 37**



**Please give the Installation Instructions to the Owners !!!**

Date of Installation : \_\_\_\_\_

Wood Fire Make : \_\_\_\_\_

Wood Fire Model : \_\_\_\_\_

Serial No.: \_\_\_\_\_

Installed By : \_\_\_\_\_

Owners: \_\_\_\_\_